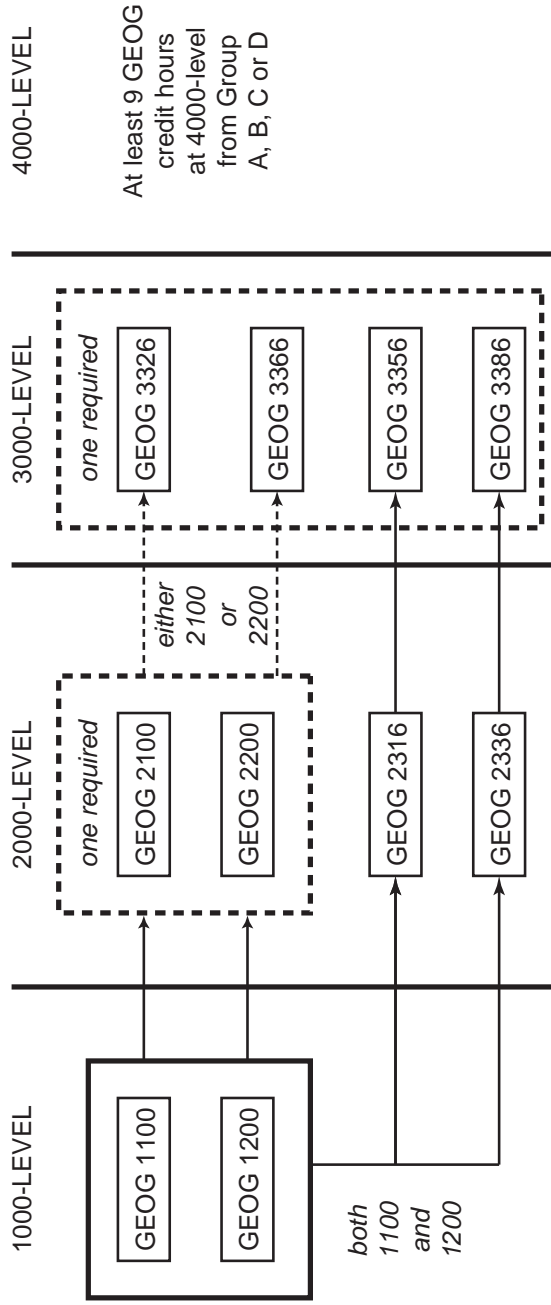


GEOGRAPHY MAJOR WITH B.A. DEGREE: REQUIRED COURSES



OTHER COURSES: 18 credit hours in GEOG courses, in any group and at any level

1100: Global Perspect. on Land and Life	2100: Fundamentals of Phys. Geog.	3326: Stat. Methods
1200: People, Place, and Environment	2200: Fundamentals of Human Geog.	3366: Field and Res. Tech.
	2316: Map and Air Photo Interp.	3356: Remote Sensing
	2336: Principles of Cartography	3386: Concepts in GIS

B.A. Major Program

The requirements for a Major in Geography within the B.A. degree are:

- i. GEOG 1100.1(.2), GEOG 1200.1(.2), and either GEOG 2100.1(.2) or GEOG 2200.1(.2);
- ii. GEOG 2316.1(.2), 2336.1(.2) and three (3) credit hours from GEOG 3326.1(.2), 3356.1(.2), 3366.1(.2), or 3386.1(.2);
- iii. Students must attain a grade of C or higher in GEOG 2316.1(.2) and GEOG 2336.1(.2);
- iv. Nine (9) credit hours in GEOG at the 4000-level; and
- v. Twenty-one (21) credit hours in GEOG.

Note: In addition to the eighteen (18) credit hours defined in (i) and (ii), the thirty (30) additional credit hours in GEOG may be taken from any group (A, B, C, D). After the student attains forty-eight (48) credit hours in GEOG, only Group A, C, and D courses count towards the “sixty-six (66) credit hours in Arts subjects at the 2000-level or above” (Faculty of Arts Regulation 1a). Additional Group B courses could be taken as electives.