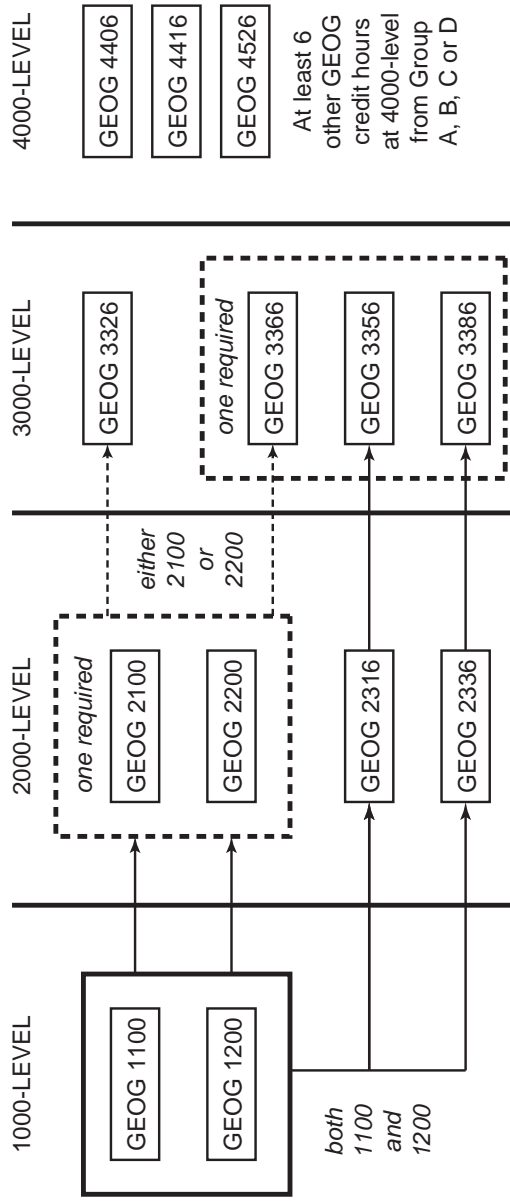


## GEOGRAPHY WITH B.A. HONOURS DEGREE: REQUIRED COURSES



OTHER COURSES: 30 credit hours in GEOG courses, in any group and at any level

1100: Global Perspect. on Land & Life	2100: Fundamentals of Phys. Geog.	3326: Stat. Methods	4406: Sem. in Theor. Geog.
1200: People, Place, and Environment	2200: Fundamentals of Human Geog.	3366: Field and Res. Tech.	4416: Sem. in Appl. Geog.
	2316: Map and Air Photo Interp.	3356: Remote Sensing	4526: Hons. Res. Project
	2336: Principles of Cartography	3386: Concepts in GIS	

## B.A. Honours Program

The Honours Program is designed for students who wish to pursue more in-depth study of Geography and to undertake an independent research project (GEOG 4526.0) under the supervision of a faculty member. Those students who seek to continue their studies at the graduate level are strongly advised to complete an Honours degree.

To be admitted to the Honours program, a student must have at least a B standing in geography courses and have obtained satisfactory grades in non-geography courses. Possession of the minimum requirements does not establish the right of an applicant to be admitted, or readmitted, to the program.

Students admitted to the program are responsible for finding a member of the Department to act as their Honours Research Project supervisor.

Complete details regarding the Honours Research Project are contained in *Regulations for the Honours Research Project (Geography 4526.0)* available from the Departmental secretary.

For a B.A. with Honours in Geography, students must complete 72 credit hours in Geography, as follows:

- i. GEOG 1100.1(.2), GEOG 1200.1(.2), and either GEOG 2100.1(.2) or 2200.1(.2);
- ii. GEOG 2316.1(.2), 2336.1(.2), and 3326.1(.2);
- iii. Students must attain a grade of C or higher in GEOG 2316.1(.2) and GEOG 2336.1(.2);
- iv. One of GEOG 3356.1(.2), 3366.1(.2), or 3386.1(.2);
- v. GEOG 4406.1(.2) and 4416.1(.2);
- vi. GEOG 4526.0; and
- vii. Thirty-nine (39) other GEOG credit hours from any group of which at least six (6) credit hours must be at the 4000-level.